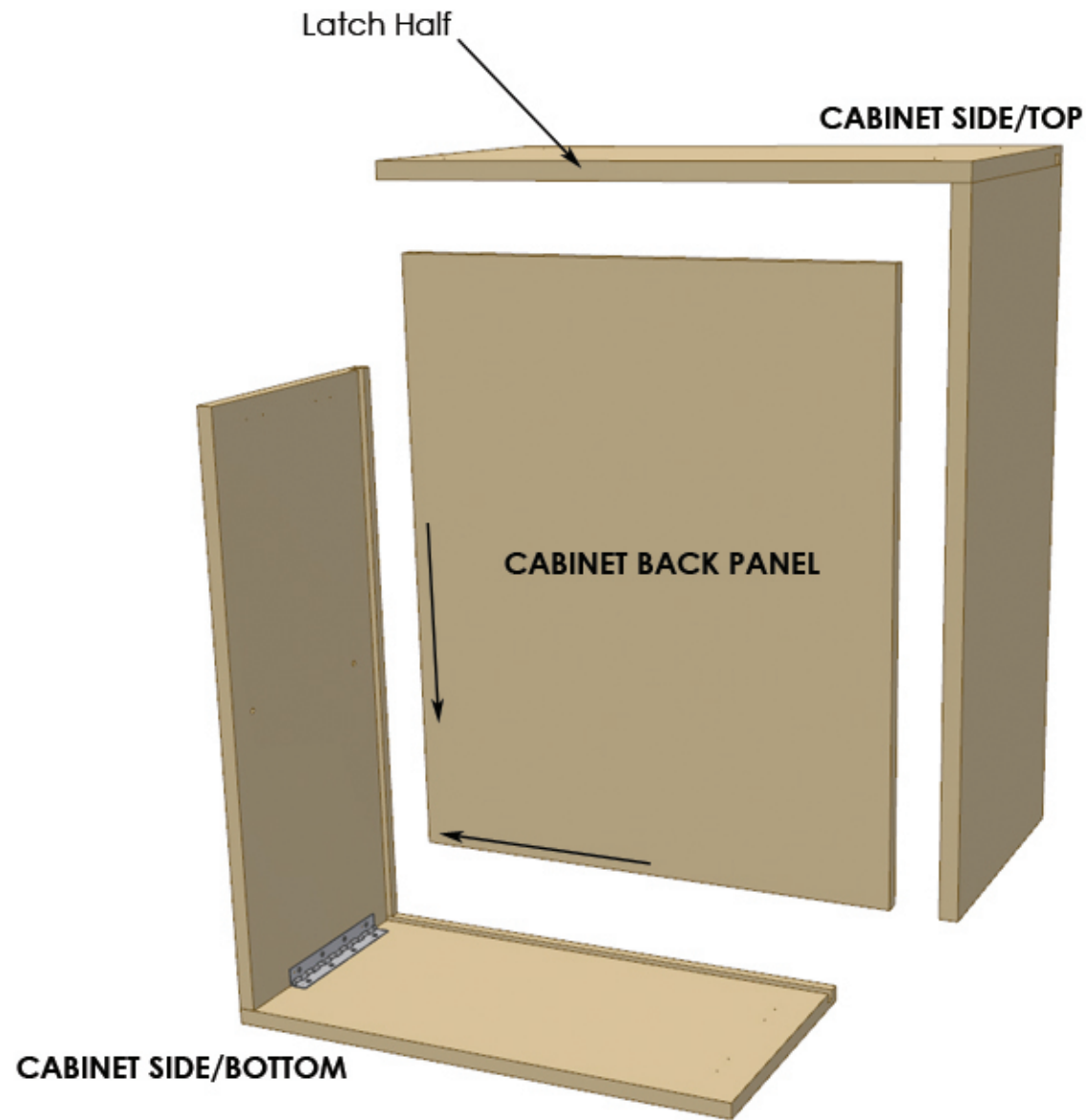
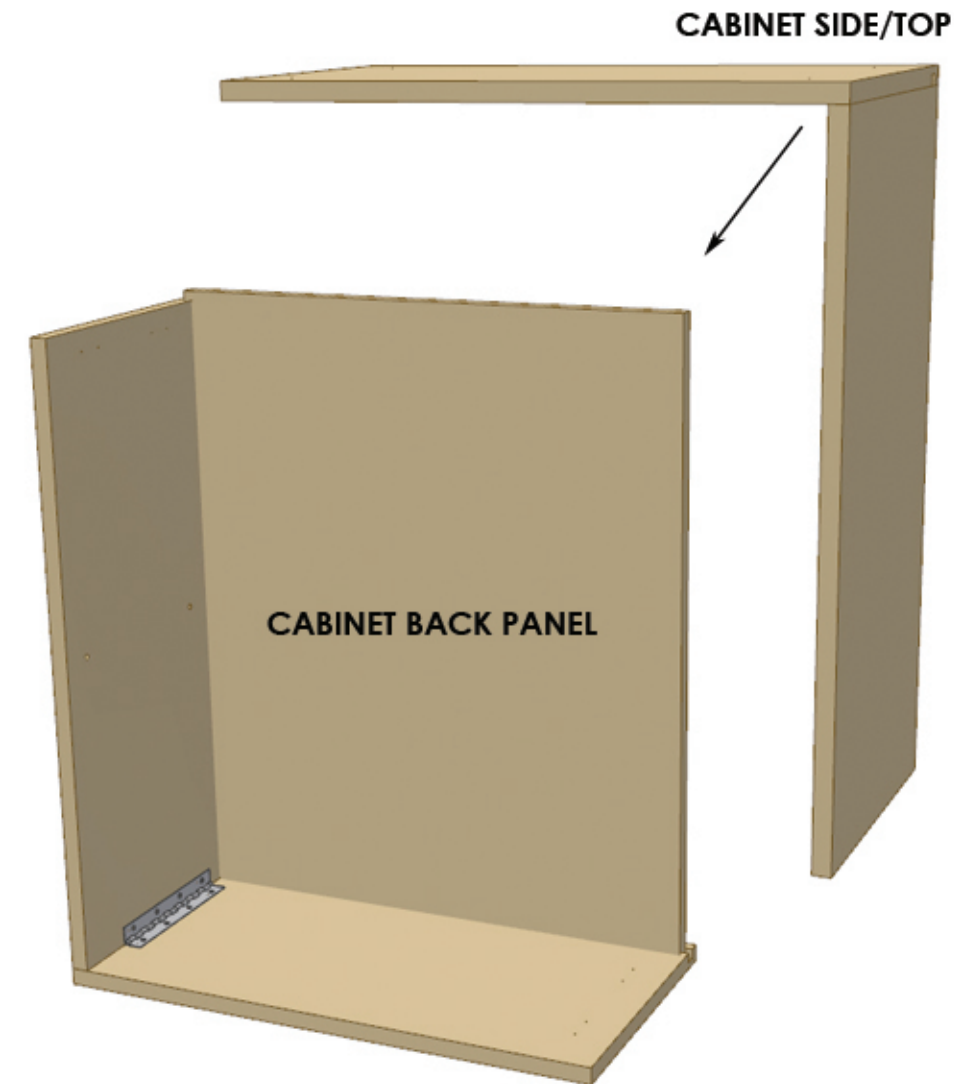


LIGERO I SETUP INSTRUCTIONS

Part #	Qty in Step	Description
CABINET SIDE/TOP	1	(2) 3/4" AMBER Bamboo Section Hinged together
CABINET SIDE/BOTTOM	1	(2) 3/4" AMBER Bamboo Section Hinged together
CABINET BACK PANEL	1	Large 3/4" AMBER Bamboo Section



PART 1



PART 2

Steps

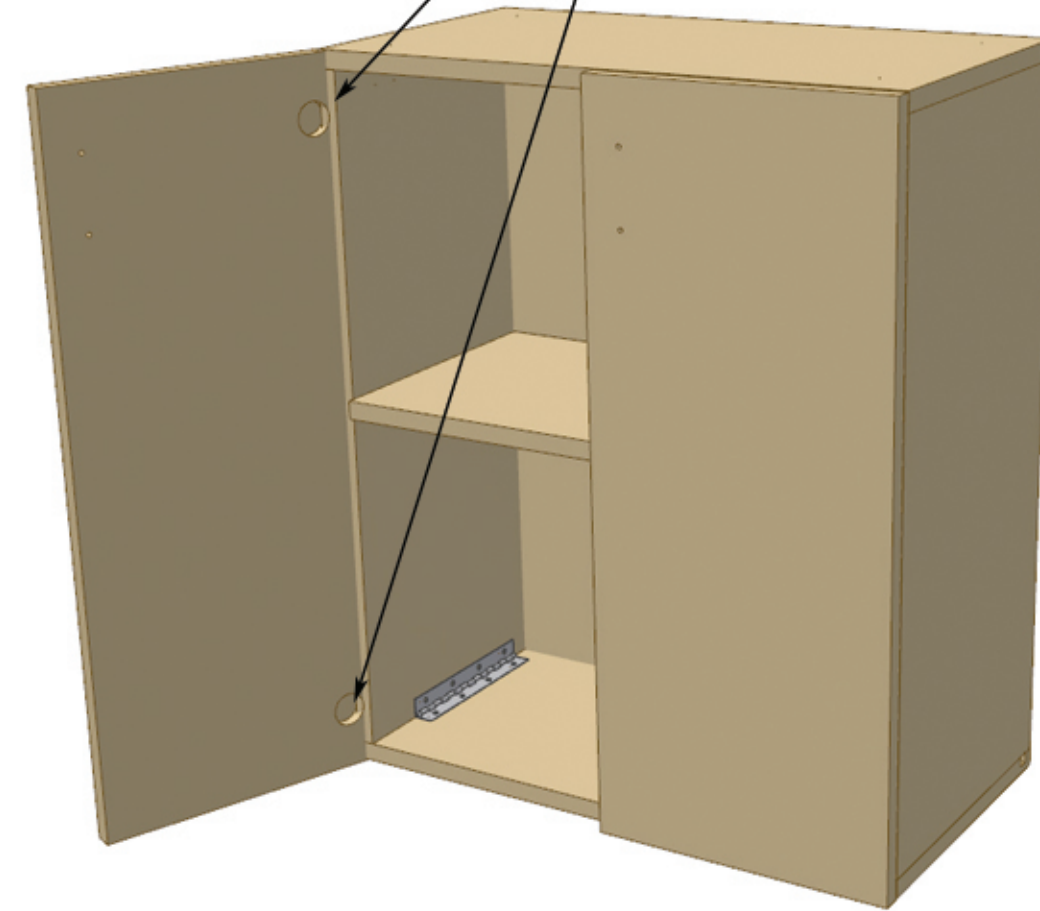
- 1 - Open CABINET SIDE/Bottom Section and Place CABINET BACK PANEL as shown
- 2 - Slide CABINET SIDE/TOP Section over Back Panel as shown, secure with latches

NOTE: CABINET SIDE/TOP HAS (1) Addition LATCH HINGE

Part #	Qty in Step	Description
CABINET SHELF	1	3/4" Amber Bamboo
CABINET DOORS	2	3/4" Amber Bamboo with Hardware



PART 1

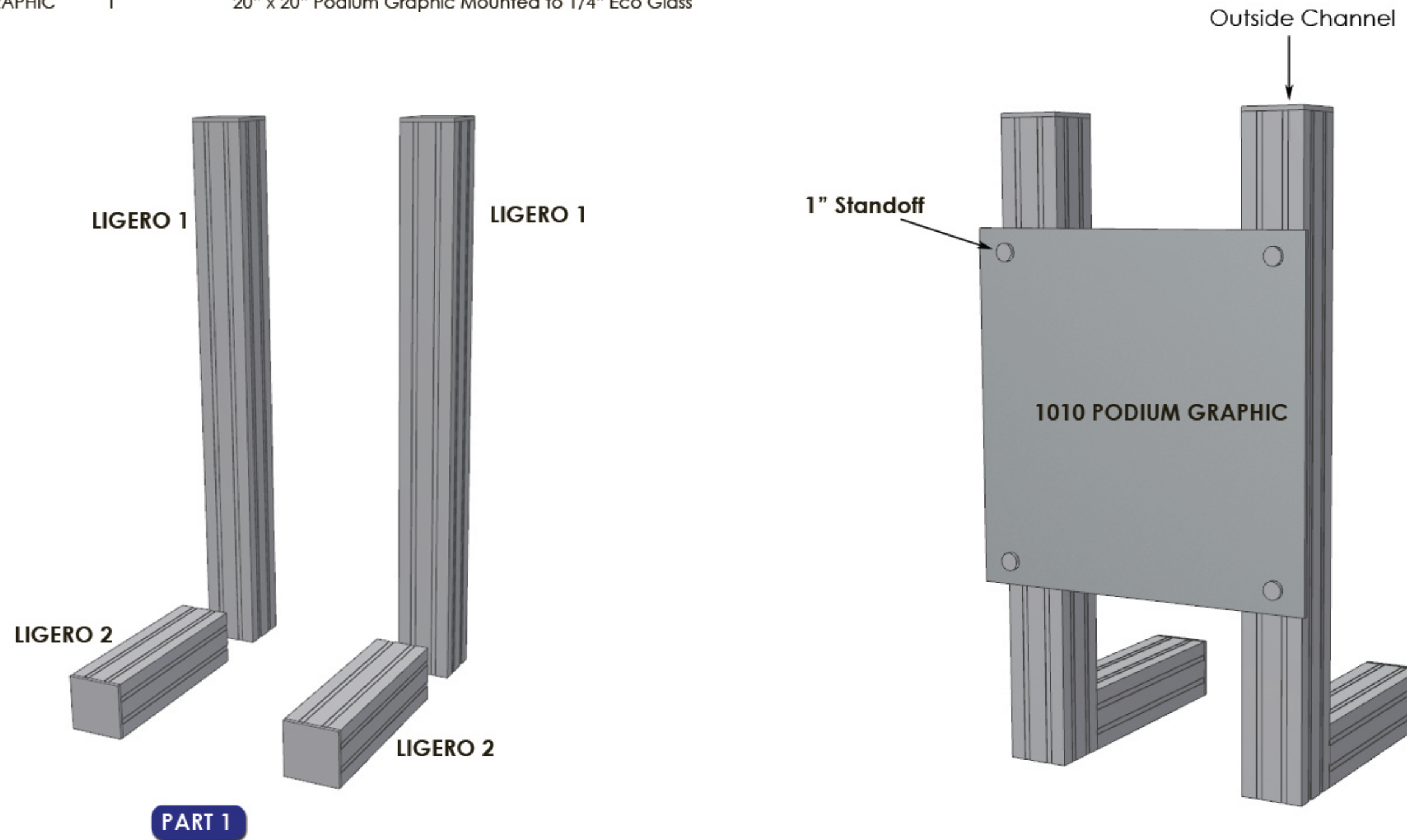


PART 2

Steps

- 1 - Place Shelf on Pre-Installed Shelf Tabs
- 2 - Clip Each Door one at a time, top then bottom, as shown

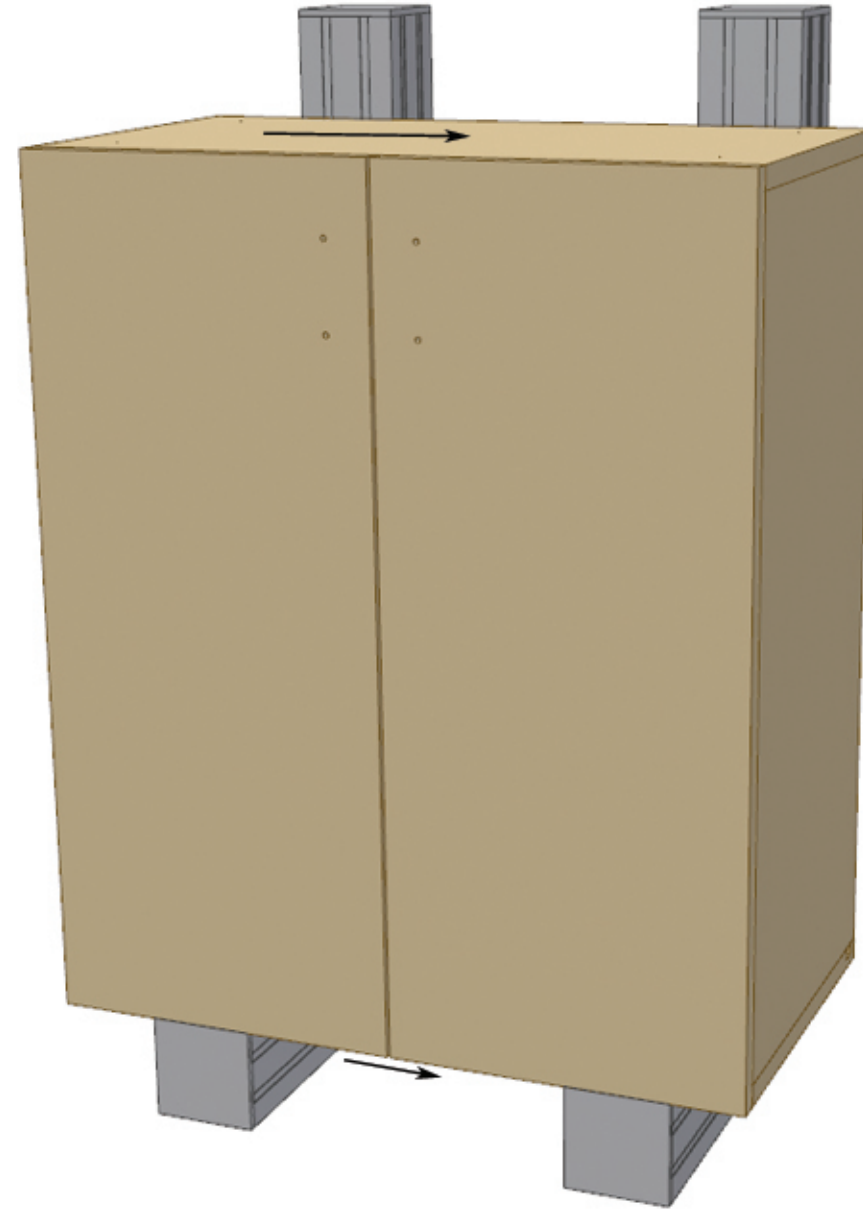
Part #	Qty in Step	Description
LIGERO 1	2	38 INCH Sq Extrusion w/ Permanently Installed End Cap
LIGERO 2	2	13.25 INCH Sq Extrusion w/ Permanently Installed End Cap and Lock
1" STANDOFFS	4	1" x 1" Standoffs w/ cap
1010 PODIUM GRAPHIC	1	20" x 20" Podium Graphic Mounted to 1/4" Eco Glass



Steps

- 1 - Attach **LIGERO 2** BEAMS to **LIGERO 1** POST as shown
- 2 - Slide **1" STANDOFFS** in **OUTSIDE** Channel of Left/Right Posts
- 3 - Align **1010 PODIUM GRAPHIC** and secure with standoff caps

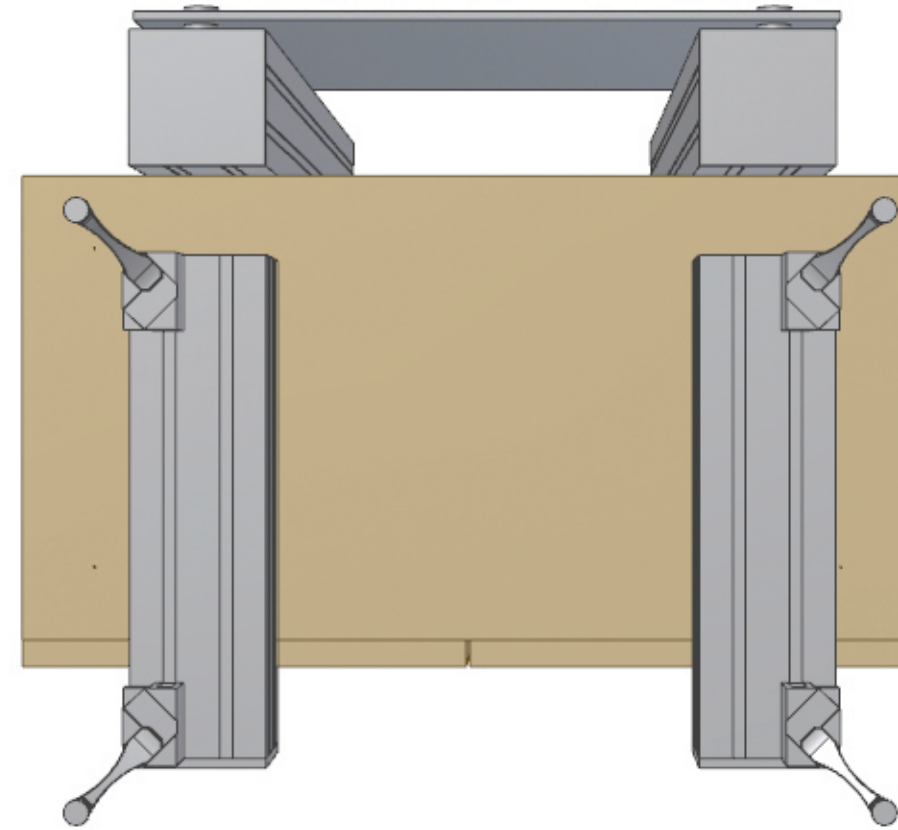
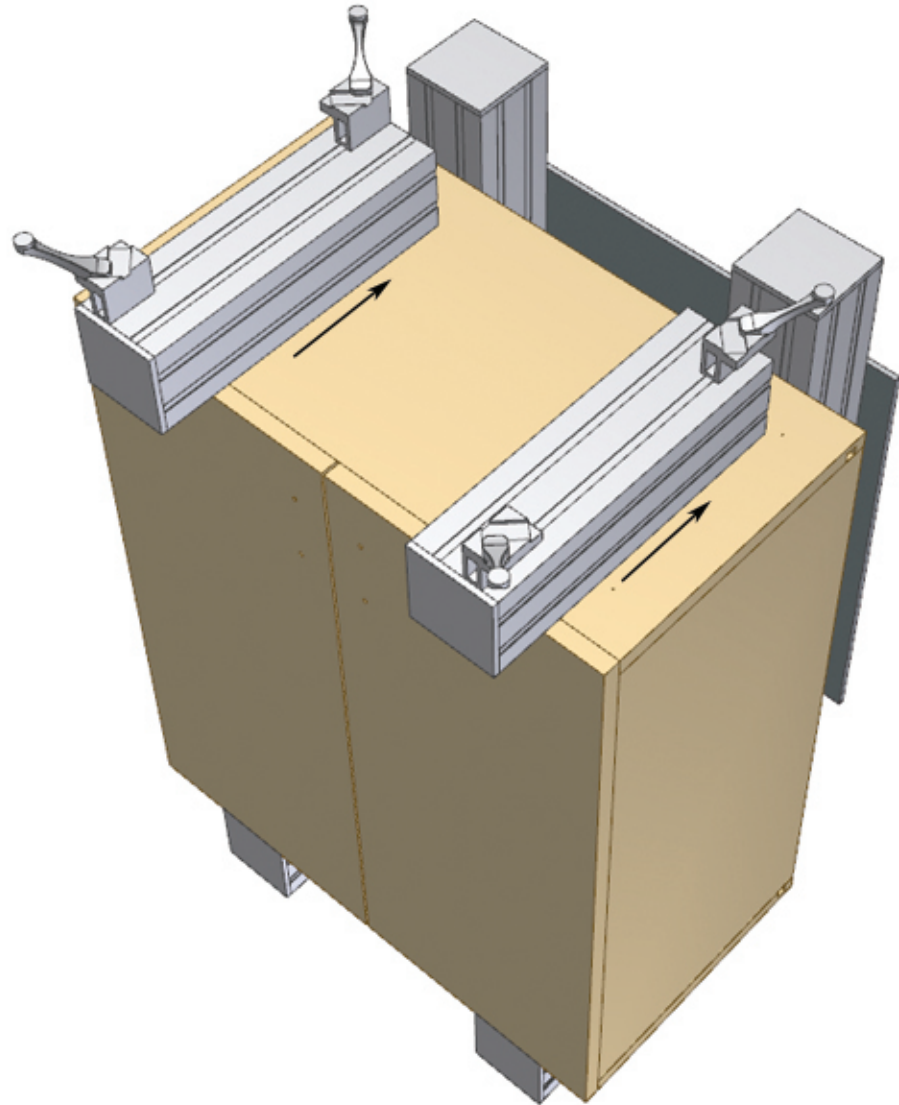
Part #	Qty in Step	Description
Assembled Cabinet	1	Fully Assembled Cabinet



Steps

- 1 - Place Cabinet on the assembled beams
- 2 - Push against LIGERO 1 Post, Center as Shown

Part #	Qty in Step	Description
COUNTER SUPPORT	4	Block and Standoff with Cap
LIGERO 2	2	13.25 INCH SQ BEAM w/ Permanently installed End Cap and Lock

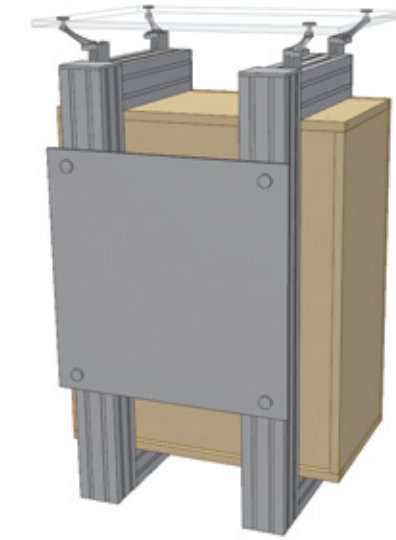
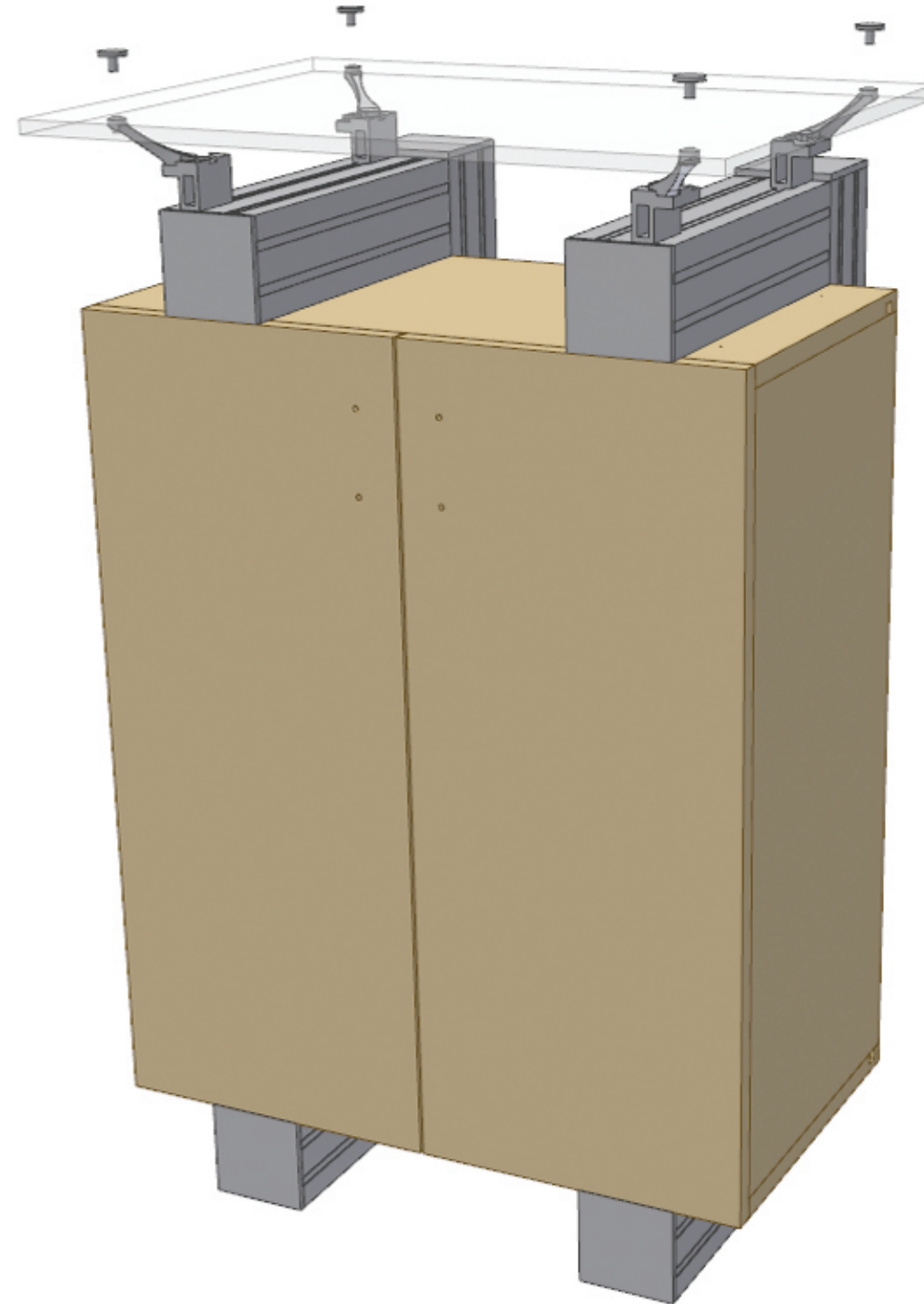


COUNTER SUPPORT PLACEMENT DETAIL

Steps

- 1 - Before attaching Beams, Slide **COUNTER SUPPORTS** in Place as Shown
- 2 - Slide each Support to the end of the **LIGERO 2** Beam and Secure in Place
- 3 - Now, Attach the **LIGERO 2** BEAMS with Counter Standoffs in place
- 4 - Remove Caps for Next Step

Part #	Qty in Step	Description
Counter Support Caps FRONT COUNTER	4 1	From COUNTER SUPPORT 18.5" x 25" x 1/2" Frosted Counter



FINAL VIEW

Step

1 - Align Counter holes with Supports and Secure with Cap